

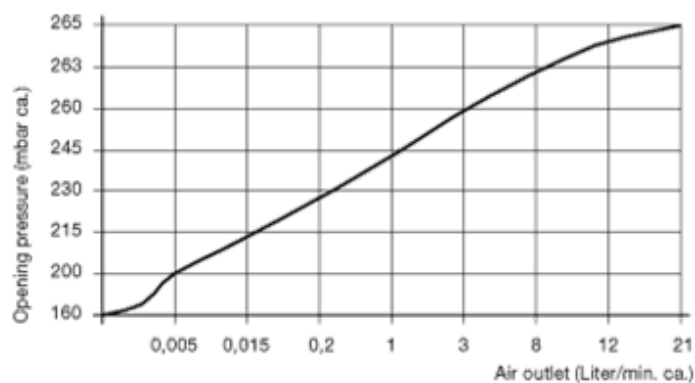
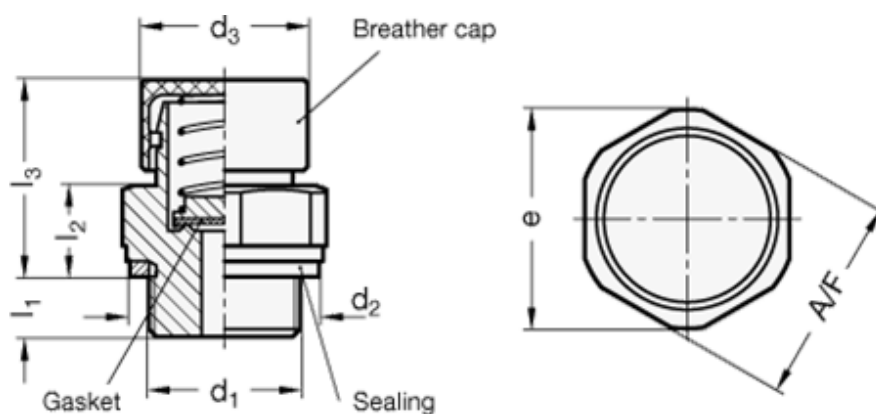
Data Sheet



Article number: 20881M2415200MSM

Description: E+G
Breather valve, - M24x1.5

Measures



A/F	= 30
d2	= 29
d3	= 22
e	= 32.5
l1	= 8
l2	= 12
l3	= 27
Thread d1	= M24x1.5